



# DC Ammeter Shunts

STD Accuracy  $\pm 0.25\%$

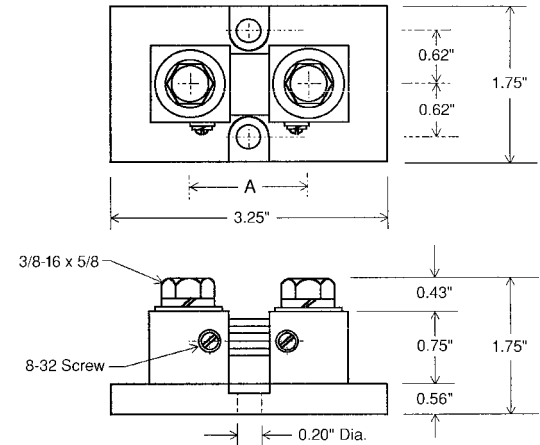
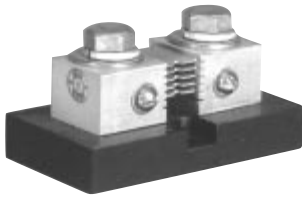
## TYPE LB: 170 through 600 Amperes

### TYPE LB: 50 mV

| Catalog Number | AMP | A   |
|----------------|-----|-----|
| LB-170-50      | 170 | 1.5 |
| LB-200-50      | 200 | 1.5 |
| LB-250-50      | 250 | 1.5 |
| LB-300-50      | 300 | 1.5 |
| LB-400-50      | 400 | 1.5 |
| LB-450-50      | 450 | 1.5 |
| LB-500-50      | 500 | 1.5 |
| LB-600-50      | 600 | 1.5 |

### TYPE LB: 100 mV

| Catalog Number | AMP | A    |
|----------------|-----|------|
| LB-170-100     | 170 | 2.07 |
| LB-200-100     | 200 | 2.07 |
| LB-250-100     | 250 | 2.07 |
| LB-300-100     | 300 | 2.07 |
| LB-400-100     | 400 | 2.07 |
| LB-450-100     | 450 | 2.07 |
| LB-500-100     | 500 | 2.07 |
| LB-600-100     | 600 | 2.07 |



Tolerances  $\pm .015$  for the hole diameters. Other tolerances  $\pm .030$  unless specified.  
Dimensions subject to change without notice.