

127 SERIES MOULDED CASE CURRENT TRANSFORMERS

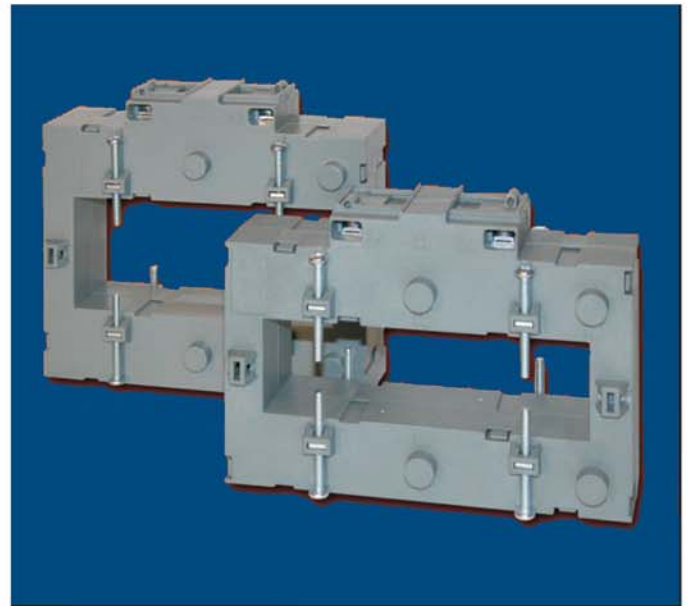
Powertek

DESCRIPTION

A range of compact moulded case current transformers suitable for primary currents up to 6000A with built in terminal covers.

APPLICATION

For transforming various primary currents into 5A or 1A standard secondary using 120mm or 125mm busbars.



TECHNICAL SPECIFICATION

- Conforms to: IEC185, BS7626, BSEN 60044-1 & IEC60044-1
- Rated System Voltage: 0.72/3kV
- Class 3, 1, 0.5, 0.2 or 0.2S available
- Ambient temperature range -30°C to 85°
- Continuous current 1.2 x rated current
- Sealable terminal covers
- Protection CT's also available by request

RANGE

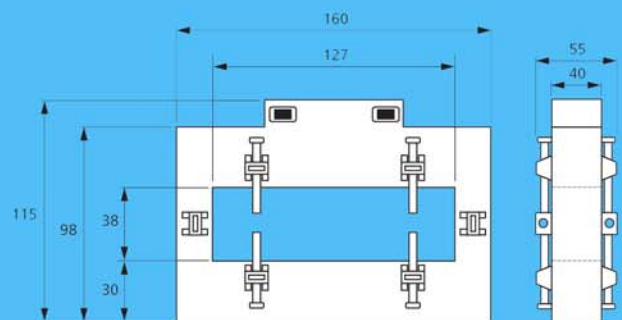
Type CTH127M

- Busbar window 127 x 38mm
- Primary current 400A - 4000A

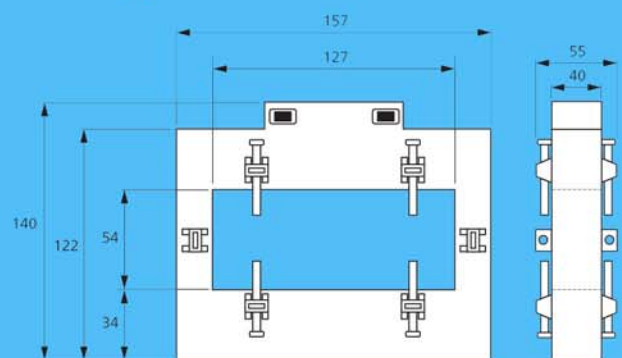
Type CTH127L

- Busbar window 127 x 54mm
- Primary current 400A - 6000A

DIMENSIONS (mm)



Type CTH127M



Type CTH127L

Our policy is one of continuous development and therefore specifications may change without notice.

Powertek

For UK & European sales, support, service and deliveries:

Tel: 01788 519911 Fax: 0870 0940135 Int'l Tel: +44 1788 519911

Email: info@powertekuk.com www.powertekuk.com

For USA sales, support, service and deliveries: Tel: +1 631 744 0294

Email: info@powertekus.com www.powertekus.com