

16 SERIES MOULDED CASE CURRENT TRANSFORMERS

Powertek

DESCRIPTION

A range of compact moulded case current transformers suitable for primary currents from 30A to 800A with built in sealable terminal covers.

APPLICATION

For transforming various primary currents into 5A or 1A standard secondary using 40x10mm, 30x10mm and 20x20mm busbars or cables up to 28mm diameter.



RANGE (Type 162)

5A Secondary

VA	Class 3			Class 1			Class 0.5		
	1	1.5	2.5	1	1.5	2.5	1	1.5	2.5
30A	A1	-	-	-	-	-	-	-	-
40A	-	B2	-	-	-	-	-	-	-
50A	-	C2	-	C4	-	-	-	-	-
60A	-	-	D3	-	D5	-	-	-	-
80A	-	-	E3	-	E5	-	-	-	-

RANGE (Type 164)

5A Secondary

VA	Class 3			Class 1			Class 0.5		
	2.5	5	10	2.5	5	10	2.5	5	10
100A	A1	-	-	A4	-	-	-	-	-
150A	B1	-	-	B4	-	-	-	-	-
200A	C1	-	-	C4	-	-	C7	-	-
250A	D1	D2	-	D4	-	-	D7	-	-
300A	E1	E2	-	E4	-	-	E7	-	-
400A	F1	F2	-	F4	F5	-	F7	-	-
500A	G1	G2	G3	G4	G5	-	G7	G8	-
600A	H1	H2	H3	H4	H5	-	H7	H8	-
800A	J1	J2	J3	J4	J5	J6	J7	J8	-

1A secondary available by request.

Order Example: A moulded case current transformer type 164, with 5A secondary and 400A primary 5VA class 1 is part number 164-5-F5

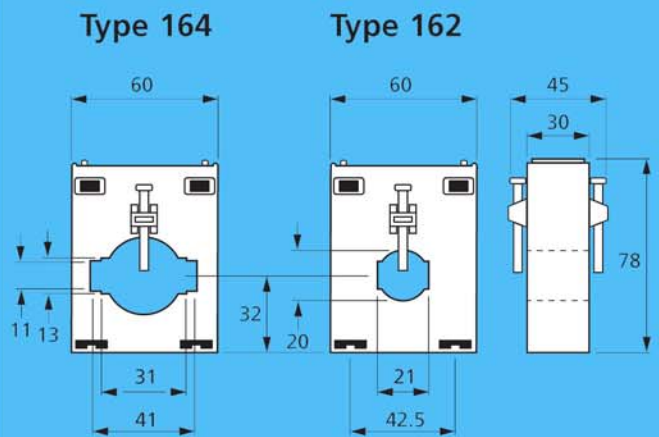
FEATURES

- Built in sealable terminal covers.
- Mounting feet and busbar screws supplied.
- Narrow width - 60mm.
- Din rail clip supplied.

TECHNICAL SPECIFICATION

- Conforms to IEC185, BS 7626, BSEN 60044-1 and IEC 60044-1.
- Rated system voltage 0.72/3kV.
- Ambient temperature range -30°C to 85°C.
- Continuous current, 1.2 x rated current.

DIMENSIONS (mm)



Ø Internal Diameter 28mm
Busbar: 40x10, 30x10mm

Ø Internal Diameter 20mm
Busbar: 20x20mm

Our policy is one of continuous development and therefore specifications may change without notice.

Powertek

For UK & European sales, support, service and deliveries:

Tel: 01788 519911 Fax: 0870 0940135 Int'l Tel: +44 1788 519911

Email: info@powertekuk.com www.powertekuk.com

For USA sales, support, service and deliveries: Tel: +1 631 744 0294

Email: info@powertekus.com www.powertekus.com