

17 SERIES (Type 175) MOULDED CASE CURRENT TRANSFORMERS

DESCRIPTION

A range of compact low cost moulded case current transformers suitable for primary currents from 250A to 1250A with built in sealable terminal covers.

APPLICATION

For transforming various primary currents into 5A or 1A standard secondary using up to 50x10mm or 40x30mm busbars or cables up to 40mm diameter.



FEATURES

- Built in sealable terminal covers.
- Mounting feet supplied.
- Narrow width - 70mm.
- Wide range of primary current

TECHNICAL SPECIFICATION

- Conforms to IEC185, BS 7626, BSEN 60044-1 and IEC 60044-1.
- Rated system voltage 0.72/3kV.
- Ambient temperature range -30°C to 85°C.
- Continuous current 1.2 x rated current.

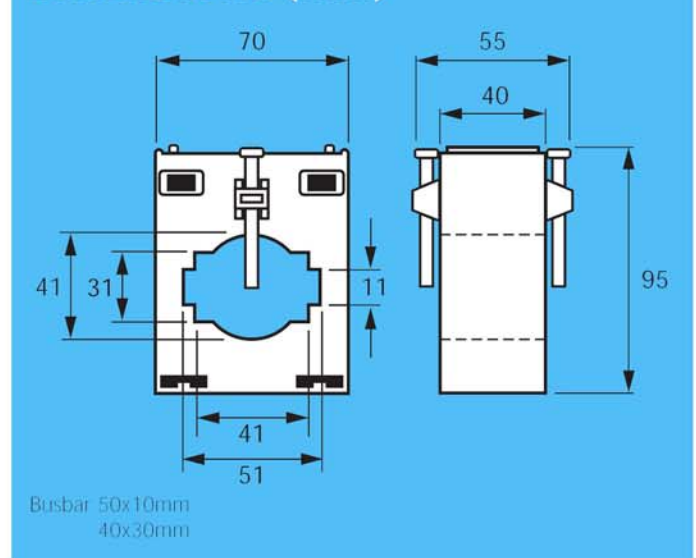
RANGE

| VA | Class 3 | | | | Class 1 | | | | Class 0.5 | | | | 5A Secondary |
|--------|---------|----|----|----|---------|----|----|----|-----------|-----|-----|-----|--------------|
| | 2.5 | 5 | 10 | 15 | 2.5 | 5 | 10 | 15 | 2.5 | 5 | 10 | 15 | |
| 250/5 | A1 | A2 | - | - | A5 | A6 | - | - | A9 | - | - | - | |
| 300/5 | B1 | B2 | - | - | B5 | B6 | - | - | B9 | - | - | - | |
| 400/5 | C1 | C2 | C3 | - | C5 | C6 | C7 | - | C9 | C10 | - | - | |
| 500/5 | D1 | D2 | D3 | D4 | D5 | D6 | D7 | D8 | D9 | D10 | - | - | |
| 600/5 | E1 | E2 | E3 | E4 | E5 | E6 | E7 | E8 | E9 | E10 | - | - | |
| 750/5 | F1 | F2 | F3 | F4 | F5 | F6 | F7 | F8 | F9 | F10 | F11 | - | |
| 800/5 | G1 | G2 | G3 | G4 | G5 | G6 | G7 | G8 | G9 | G10 | G11 | - | |
| 1000/5 | H1 | H2 | H3 | H4 | H5 | H6 | H7 | H8 | H9 | H10 | H11 | H12 | |
| 1200/5 | J1 | J2 | J3 | J4 | J5 | J6 | J7 | J8 | J9 | J10 | J11 | J12 | |
| 1250/5 | K1 | K2 | K3 | K4 | K5 | K6 | K7 | K8 | K9 | K10 | K11 | K12 | |

1A secondary available by request.

Order Example: A 17 series Type 175 moulded case current transformer with 5A secondary and 800A primary 5VA class 1 is part number 175-5-G6

DIMENSIONS (mm)



Our policy is one of continuous development and therefore specifications may change without notice.

Powertek

For UK & European sales, support, service and deliveries:

Tel: 01788 519911 Fax: 0870 0940135 Int'l Tel: +44 1788 519911

Email: info@powertekuk.com www.powertekuk.com

For USA sales, support, service and deliveries: Tel: +1 631 744 0294

Email: info@powertekus.com www.powertekus.com