

21 SERIES MOULDED CASE CURRENT TRANSFORMERS

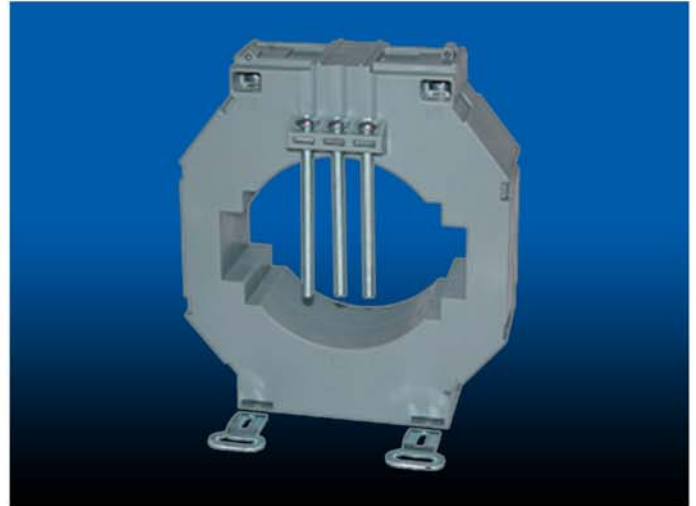
Powertek

DESCRIPTION

A range of moulded case current transformers suitable for primary currents from 400 to 5000A with built in sealable terminal covers.

APPLICATION

For transforming various primary currents into 5A or 1A standard secondary using 80x50mm or 100x30 mm busbars or cables up to 85mm diameter.



FEATURES

- Built in sealable terminal covers.
- Base or busbar mounting.
- Terminals suitable for screw or push on connectors.

TECHNICAL SPECIFICATION

- Conforms to IEC185, BS 7626, BSEN 60044-1 and IEC 60044-1.
- Rated system voltage 0.72/3kV.
- Ambient temperature range -30°C to 85°C.
- Self extinguishing to UL94HB.

RANGE (Type 211)

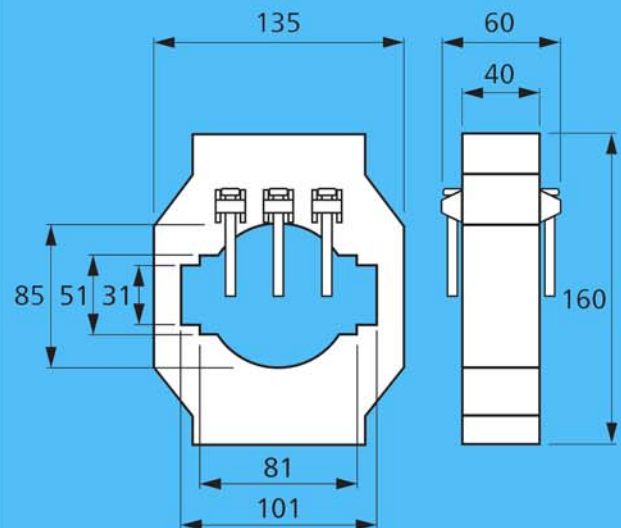
5A Secondary

VA	Class 3			Class 1			Class 0.5		
	5	10	15	5	10	15	5	10	15
400A	A1	A2	-	A4	A5	-	-	-	-
500A	B1	B2	-	B4	B5	-	B7	-	-
600A	C1	C2	C3	C4	C5	-	C7	-	-
800A	D1	D2	D3	D4	D5	D6	D7	D8	-
1000A	E1	E2	E3	E4	E5	E6	E7	E8	E9
1200A	F1	F2	F3	F4	F5	F6	F7	F8	F9
1500A	G1	G2	G3	G4	G5	G6	G7	G8	G9
1600A	H1	H2	H3	H4	H5	H6	H7	H8	H9
2000A	-	-	J3	-	-	J6	-	-	J9
2500A	-	-	K3	-	-	K6	-	-	K9
3000A	-	-	L3	-	-	L6	-	-	L9
4000A	-	-	M3	-	-	M6	-	-	M9
5000A	-	-	N3	-	-	N6	-	-	N9

1A secondary available by request.
Class 0.25 also available by request.

Order Example: A moulded case current transformer type 211, with 5A secondary and 2500A primary 15VA class 1 is part number 211-5-K6

DIMENSIONS (mm)



Ø Internal Diameter 85mm
Busbar 80x50, 100x30mm

Our policy is one of continuous development and therefore specifications may change without notice.

Powertek

For UK & European sales, support, service and deliveries:

Tel: 01788 519911 Fax: 0870 0940135 Int'l Tel: +44 1788 519911

Email: info@powertekuk.com www.powertekuk.com

For USA sales, support, service and deliveries: Tel: +1 631 744 0294

Email: info@powertekus.com www.powertekus.com