

# 35 SERIES 3in1 MOULDED CASE CURRENT TRANSFORMERS

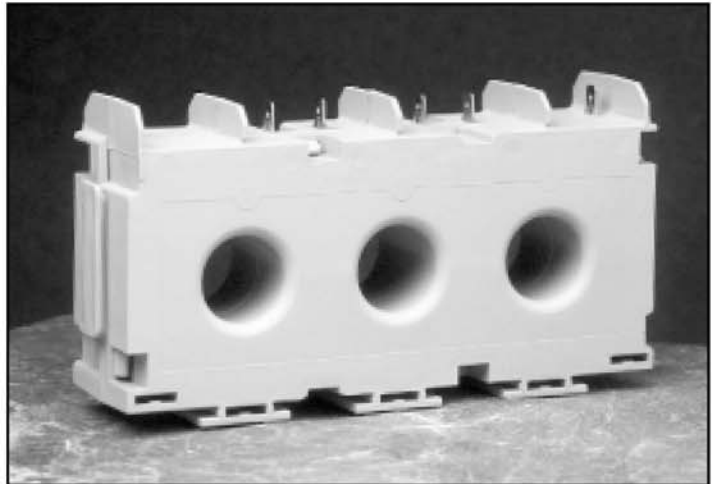
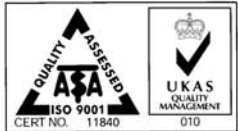
**Powertek**

## DESCRIPTION

The range offers 3 Current Transformers in 1 moulded case, suitable for primary current from 40A to 800A using cable primaries.

## APPLICATION

Ideally suited for standby generator manufacturers & panel builders, the innovative range is compact in design & suitable for mounting with feet or cable ties.



## TYPE 353

Primary	Class 3	Class 1
40A	1.25VA	–
60A	1.5VA	–
80A	1.5VA	–
100A	1.5VA	1.5VA
150A	1.5VA	1.5VA
200A	2.5VA	2.5VA
250A	2.5VA	2.5VA
300A	5VA	5VA
400A	5VA	5VA
500A	5VA	5VA

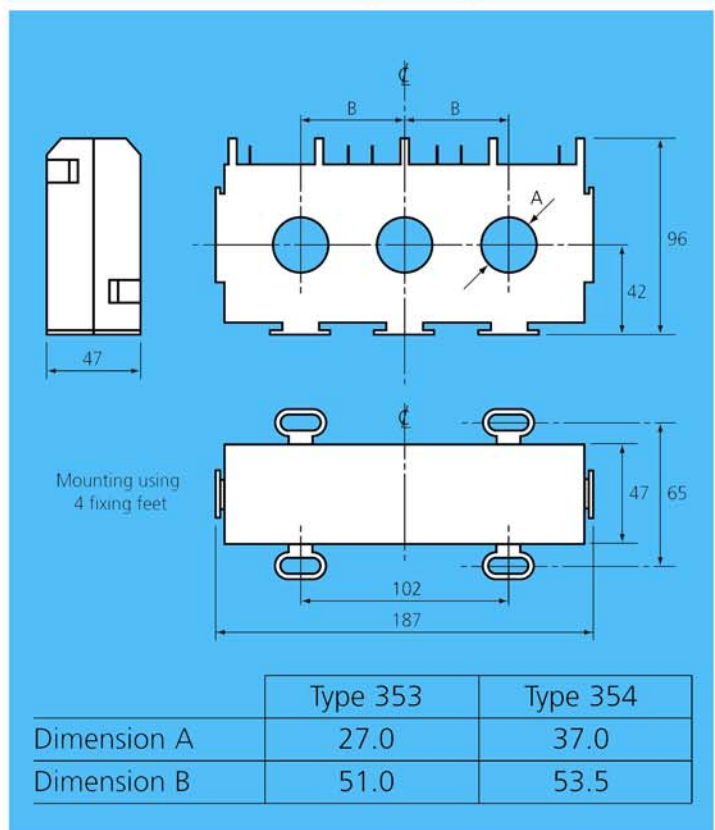
5A secondary, 27mm internal diameters

## TYPE 354

Primary	Class 3	Class 1
300A	2.5VA	2.5VA
400A	5VA	5VA
500A	5VA	5VA
600A	5VA	5VA
800A	5VA	5VA

5A secondary, 37mm internal diameters

## DIMENSIONS (mm)



## TECHNICAL SPECIFICATIONS

Conforms to IEC 44-1, IEC185 & BS7626  
 Rated system voltage 0.72/3kV  
 Ambient temperature range -20 to +85°C  
 Suitable for 6.35mm push on connectors  
 1A secondary available by request

CE approved  
 Manufactured to ISO9001  
 Enclosure to IP20  
 Supplied with 4 fixing feet  
 Other mounting options available

Our policy is one of continuous development and therefore specifications may change without notice.

**Powertek**

For UK & European sales, support, service and deliveries:

Tel: 01788 519911 Fax: 0870 0940135 Int'l Tel: +44 1788 519911

Email: [info@powertekuk.com](mailto:info@powertekuk.com) [www.powertekuk.com](http://www.powertekuk.com)

For USA sales, support, service and deliveries: Tel: +1 631 744 0294

Email: [info@powertekus.com](mailto:info@powertekus.com) [www.powertekus.com](http://www.powertekus.com)