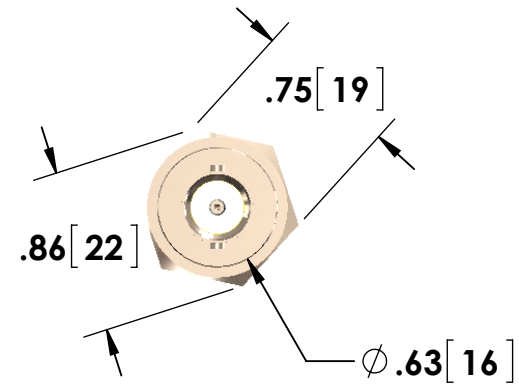
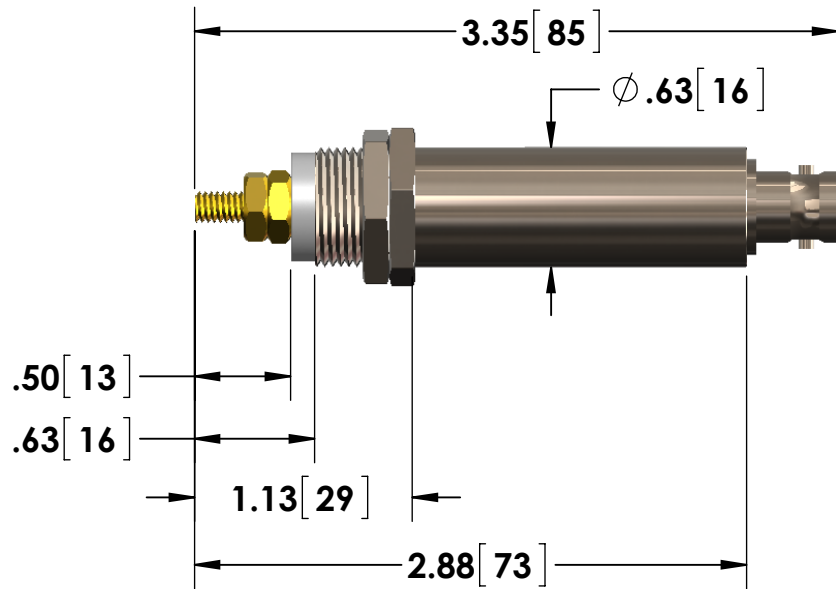


- 8-32 Stud Input Connection w/ 2ea. Nut
5/8-24 Threaded Case Body (Ground Reference)
w/ 2 ea. Low Profile Panel Nut
- BNC (Amphenol) Output Connection



Specifications subject to change without notice.

Powertek

TITLE: **A SERIES - SBNC, 4&5 WATT UNITS**

DIMENSIONS: **inch[mm]**

DATE: **03-19-2015**