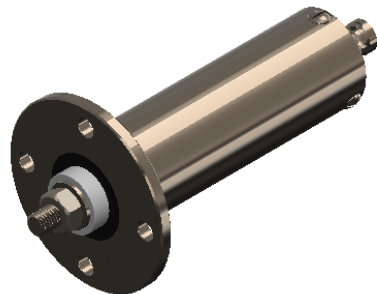
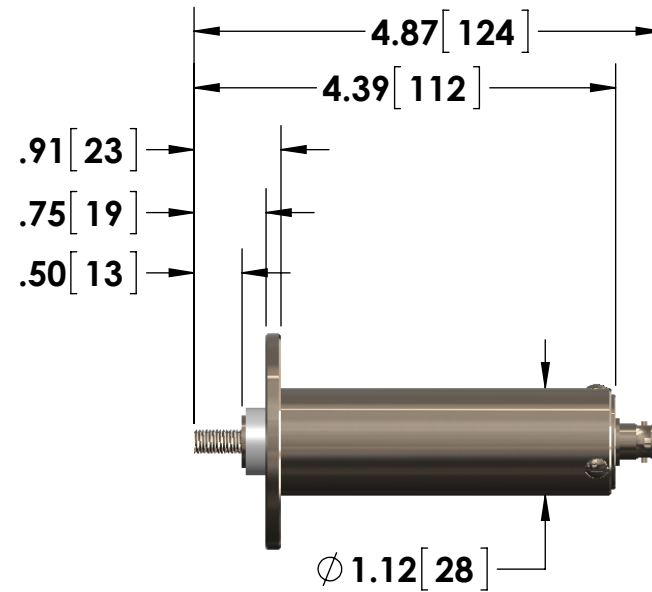
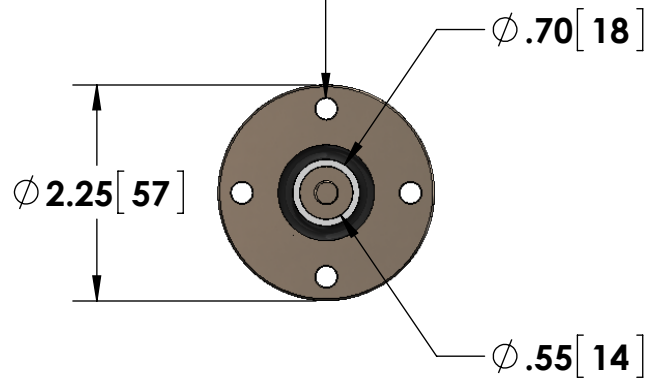


- 1/4-28 Stud Input w/Nut
- BNC (Amphenol) Output

4X ϕ .22 [6] THRU
ON A ϕ 1.75 [44] BOLT CIRCLE



Specifications subject to change without notice.

Powertek

TITLE: **M SERIES - 1M-T10**

DIMENSIONS: **inch[mm]** DATE: **03-25-2015**