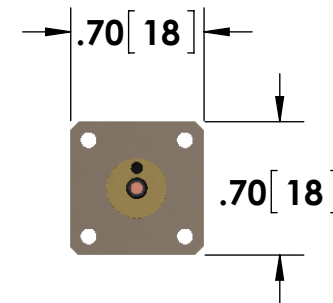
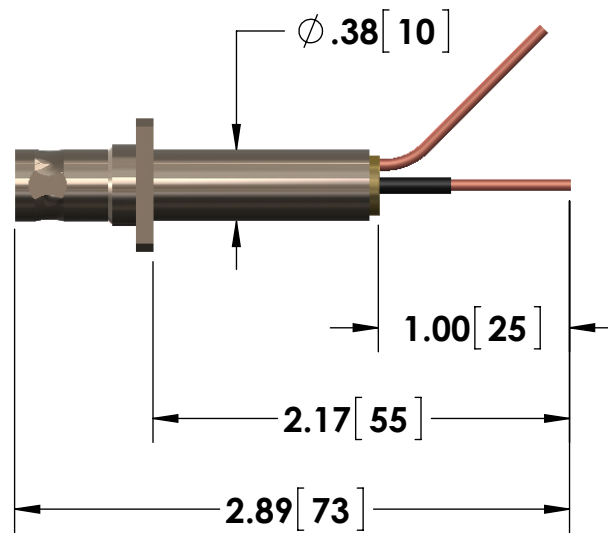


- #14 Bare Copper Wire Input Connections
- BNC (Amphenol) Output Connector



Specifications subject to change without notice.

Powertek

TITLE: **SDN SERIES - 2 WATT UNIT**

DIMENSIONS: **inch[mm]**

DATE: **03-13-2015**