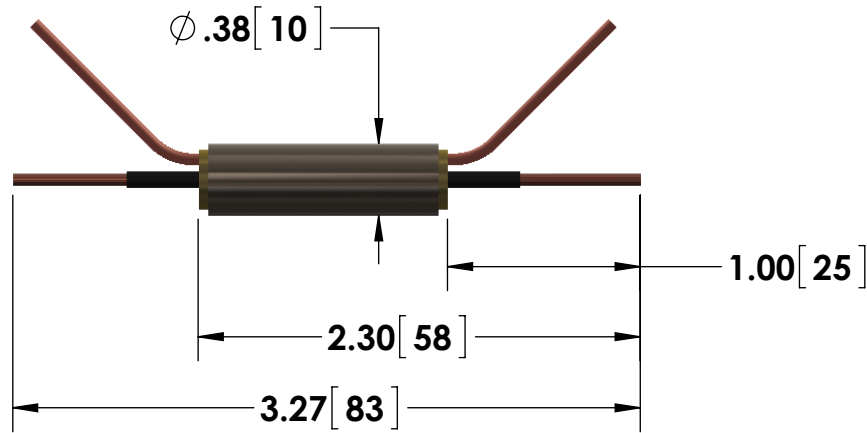


- #14 Bare Copper Wire Input and Output Connections



Specifications subject to change without notice.

**Powertek**

TITLE: **SPT SERIES - 2 Watt Units**

DIMENSIONS: **inch[mm]**

DATE: **03-16-2015**