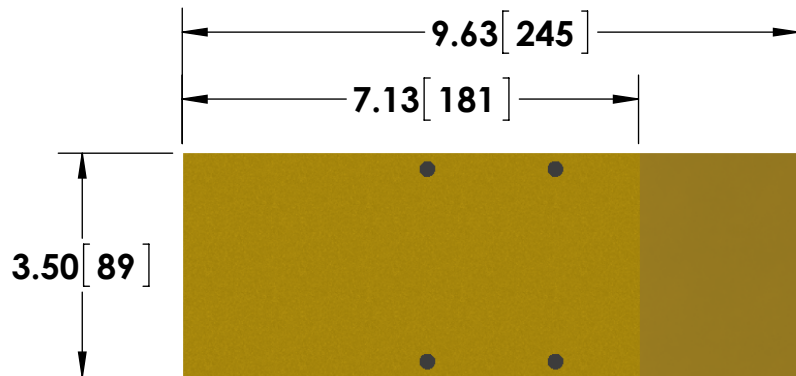
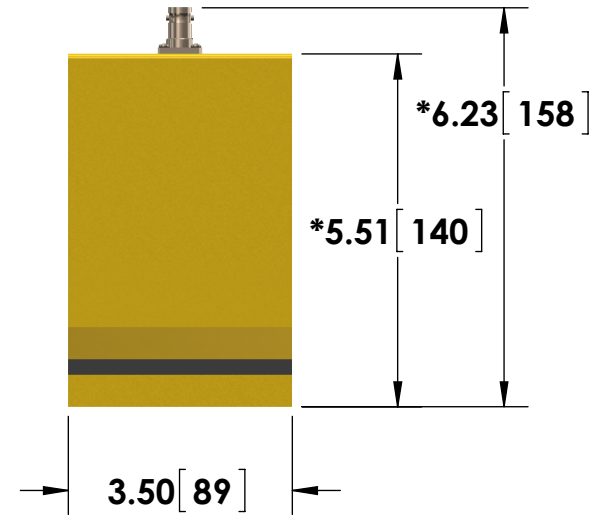
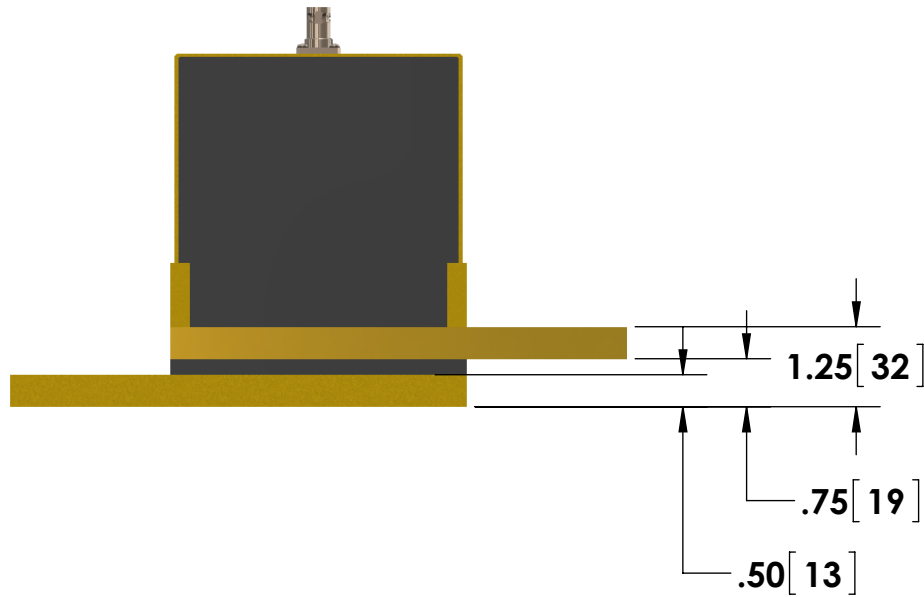


- BNC (Amphenol) Output Connector Standard
- 2.50 x 3.50 Flange Input Current Connections



Specifications subject to change without notice.

**Powertek**

TITLE: **SERIES W - Group B**  
Hi-Power Flange Input - 3.5s Type

DIMENSIONS: **inch[mm]** DATE: **04-23-2015**

\*Dimension subject to change due to resistance specified