

HALL-EFFECT CURRENT TRANSDUCER MODEL CTLP

LOOP POWERED

MODEL SELECTION

DESCRIPTION

The model CTLP is a Hall-effect current sensor with signal conditioning in a single compact package. Hall-effect current measurement is a non-contact technique that measures the magnetizing effects of current flowing in a conductor. Advantages of this technique include high electrical isolation between the measured conductor and transducer output, high over-range capability and fast response to input changes.

This loop-powered design simplifies installation by reducing instrument power and output signal connections to a simple 2-wire interface.

5 YEAR WARRANTY



A Case



Z Case Split Core

INPUT	CASE	MODEL
0-25A dc	A	CTLP-025
0-50A dc	A	CTLP-050
0-100A dc	A	CTLP-100
0-400A dc	Z	CTLP-401HL
0-500A dc	Z	CTLP-501HL
0-600A dc	Z	CTLP-601HL
0-800A dc	Z	CTLP-801HL
0-1000A dc	Z	CTLP-102HL
0-1500A dc	Z	CTLP-152HL
0-2000A dc	Z	CTLP-202HL
0-3000A dc	Z	CTLP-302HL

SPECIFICATIONS

INPUT

Current Range.....(See Table)
 Over-range w/o damage ... Continuous..... 10X Rated
 Frequency Range..... dc

OUTPUT

Type Loop-powered.....4-20mA dc
 Scaling 0-F.S. Input = 4-20mA dc Output
 Loading 24Vdc loop-power, ±15%..... 0-500Ω
 Response to 90% 500μs, Typical

DIELECTRIC TEST

Conductor through Window to Output..... 2200Vac

ACCURACY (Setpoint, Linearity, Repeatability)

CTLP-025.....±2.0% F.S.
 CTLP-050, CTLP-100±1.0% F.S.
 All Others±0.5% F.S.

INSTRUMENT POWER

Loop-powered Voltage.....24Vdc, ±15%

TEMPERATURE

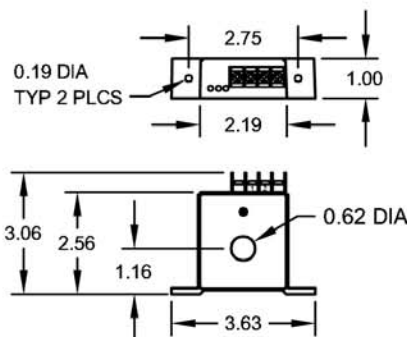
Operating Range standard..... 0 to +40°C
 "T" option -40°C to +60°C
 Effect A case standard.....±2.0% F.S.
 "T" option±3.0% F.S.
 Z case standard.....±1.0% F.S.
 "T" option±2.5% F.S.

PHYSICAL

Termination.....6-32 Screw Terminals
 Enclosure A case.....Noryl SE1X, Gray
 Z case.....Noryl SE1X, Black
 Weight A case..... 0.2 lb.
 Z case..... 1.4 lb.

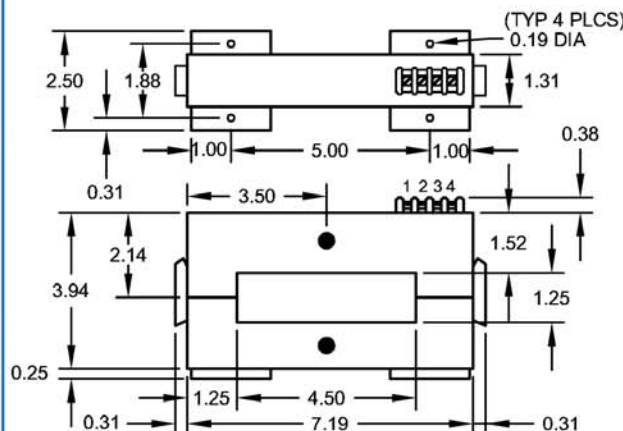
CASE DIMENSIONS

A CASE MODELS



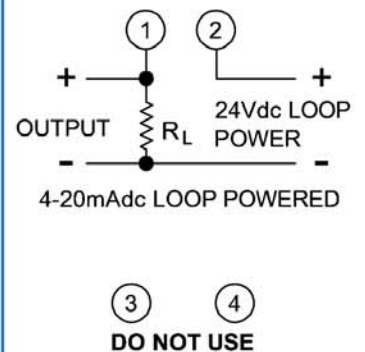
ALL DIMENSION ARE IN INCHES.
 TOLERANCE: 0.00 ±0.03.

Z CASE MODELS



CONNECTIONS

ALL MODELS



0902-00834-B Rev A



For UK Sales, Support, Service and Deliveries:
 Powertek UK 19 Cornwallis Road Bilton, Rugby CV22 7HL UK
 Tel: 01788 519911 Fax: 0870 0940135 Int'l Fax: +44 870 0940135
 Email: info@powertekuk.com Website: www.powertekuk.com

For Sales, Service, Support and Deliveries:
 Powertek US Inc. 7 3rd Street Holbrook, NY 11741
 Tel: +1 631 615 6279 Fax: +1 973-273-5893
 info@powertekus.com Website: www.powertekus.com